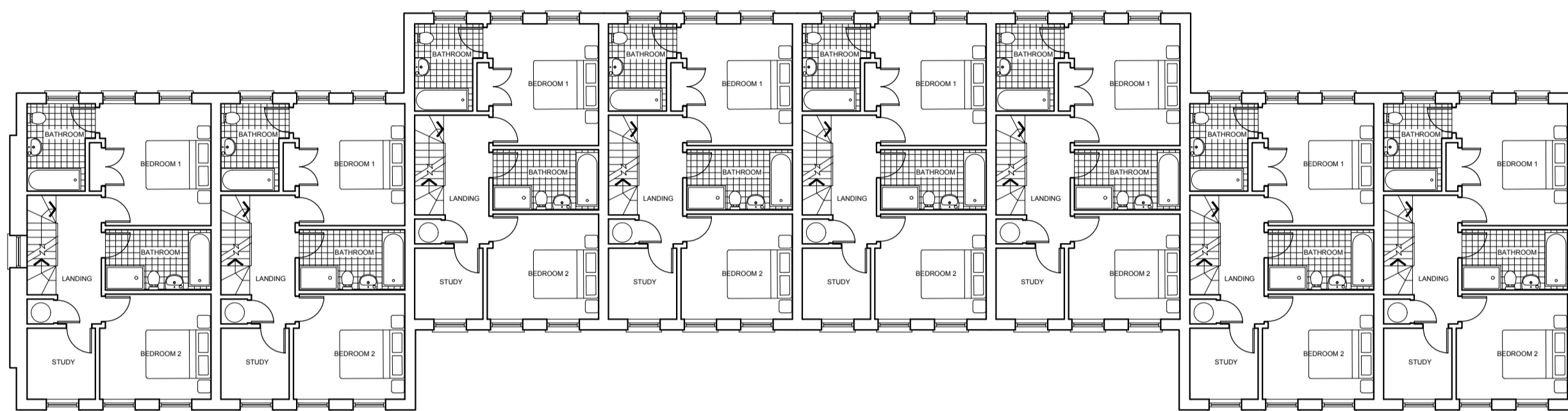
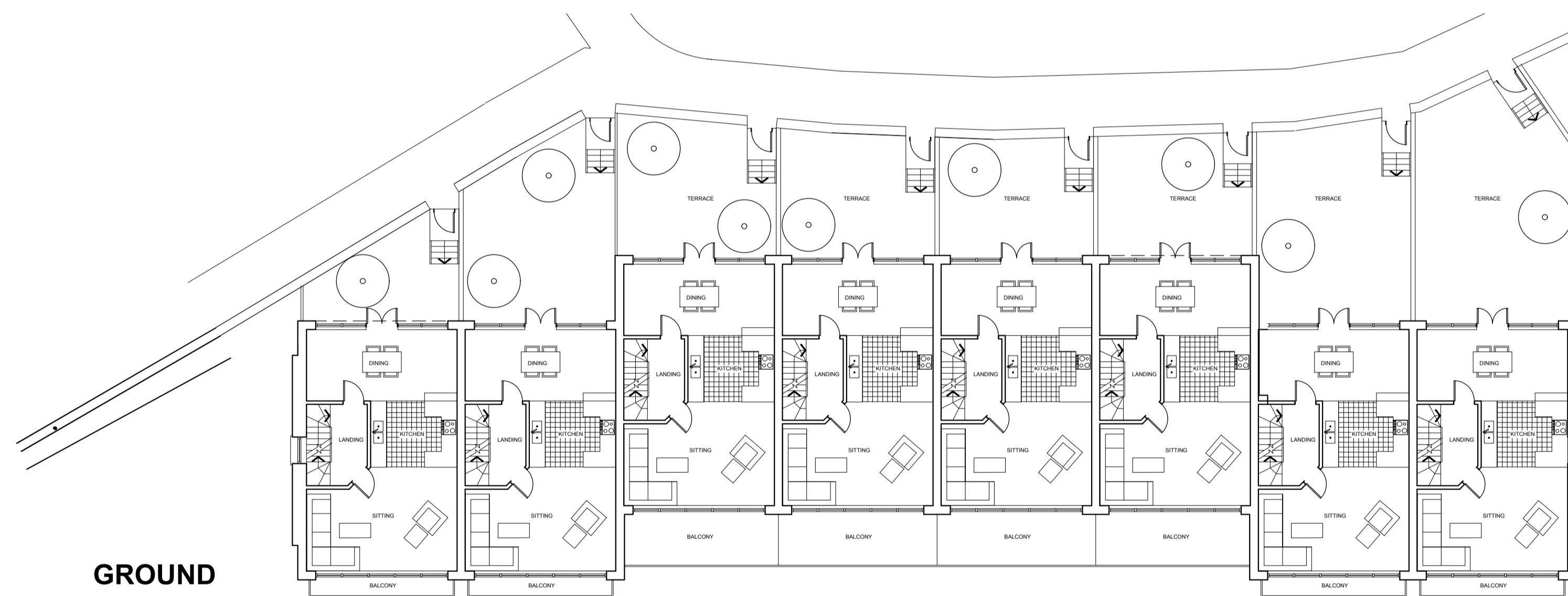


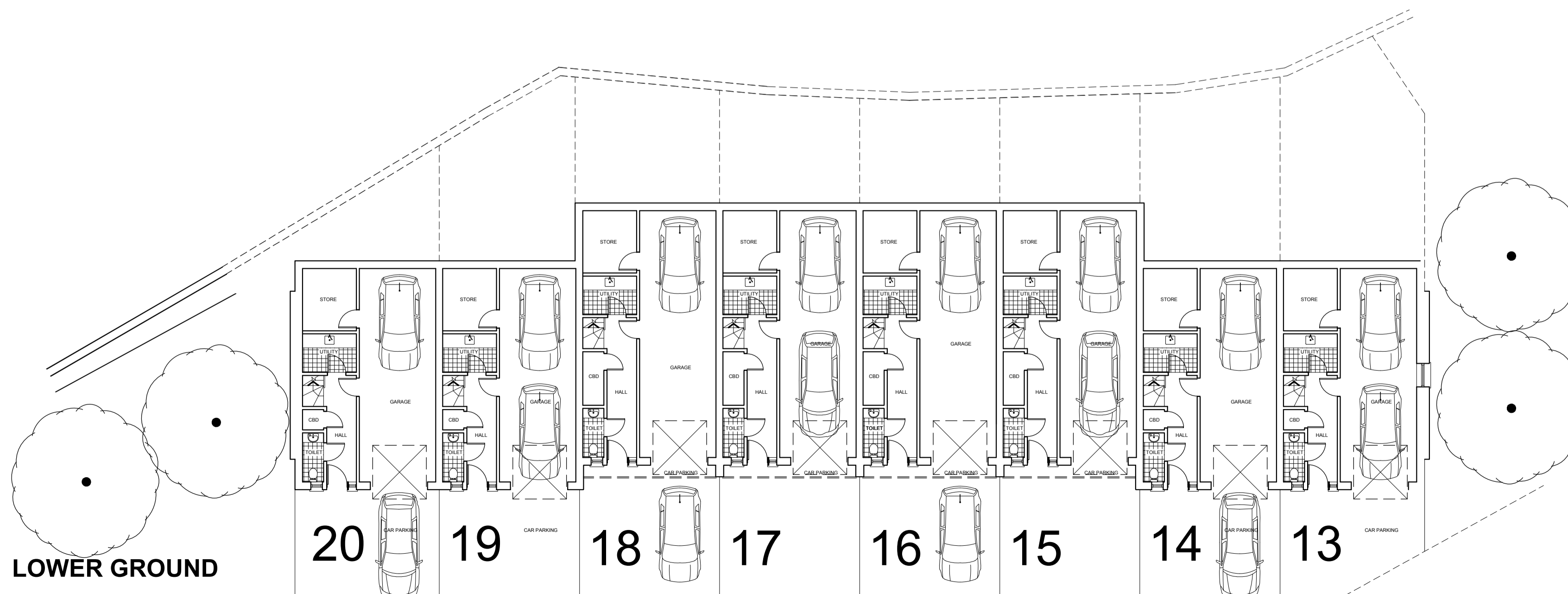
SECOND



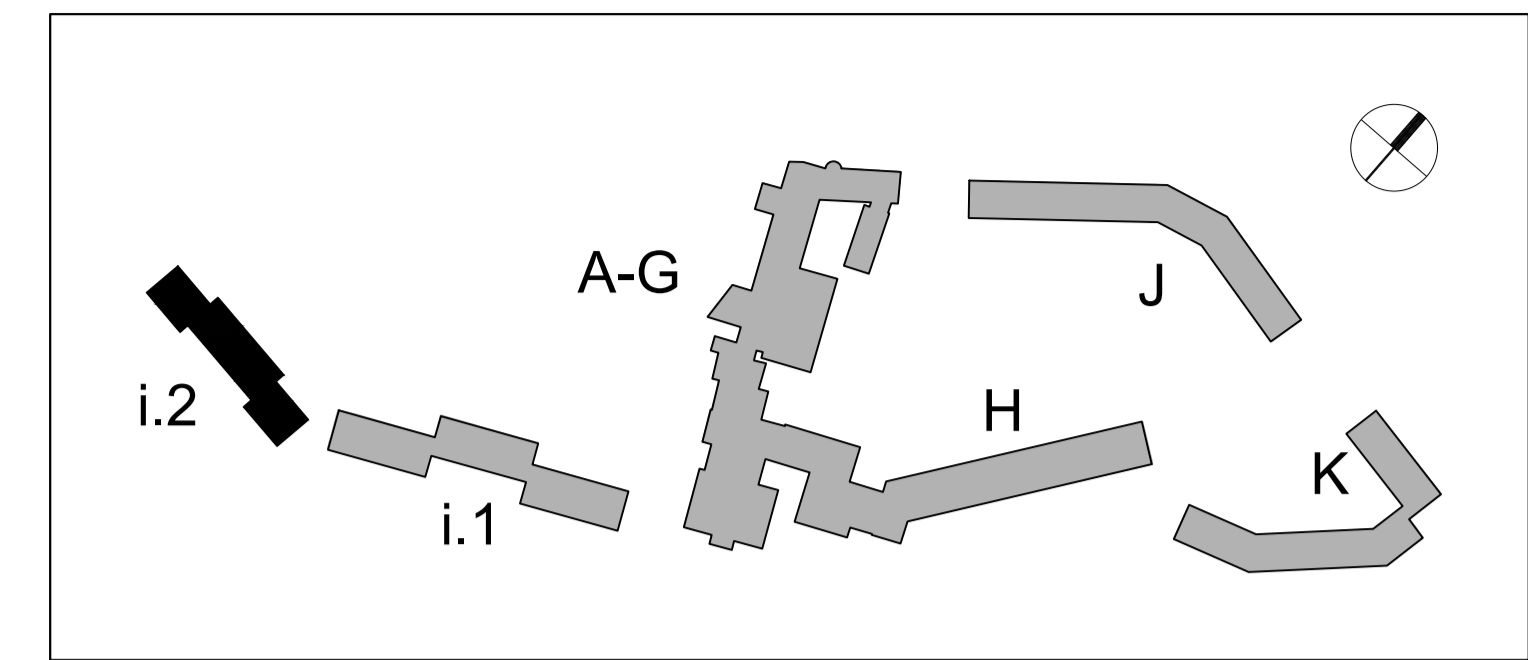
FIRST



GROUND



LOWER GROUND



LOCATION KEY



VISUAL OF BLOCK i (PHASE 2)

Rev	Description	Date	Initial
A	NEW PAGE LAYOUT	29/01/19DP	



Second Floor T 020 7494 3522 The Priory, Draycott Rd T 01749 34 66 99
 26A Ganton Street F 020 7494 3533 Shepton Mallet F 01749 34 66 77
 London W1F 7GZ Somerset BA4 5HS
 info@prime-meridian.co.uk www.prim-meridian.co.uk

Client: **WESTWOOD WILSON LTD.**

Project: **WESTWOOD MILL LINTHWAITE**

Title: **BLOCK I(2) FLOOR PLANS**

Date: OCTOBER '18
 Scale: 1:150@A1
 Drawn: DP

No. 538.02/PLA12 A

BLOCK i (PHASE 2)