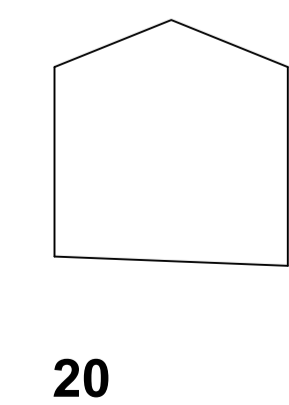
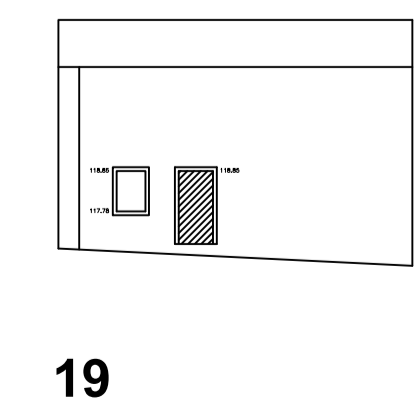
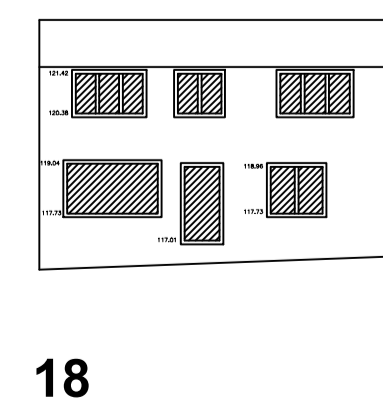
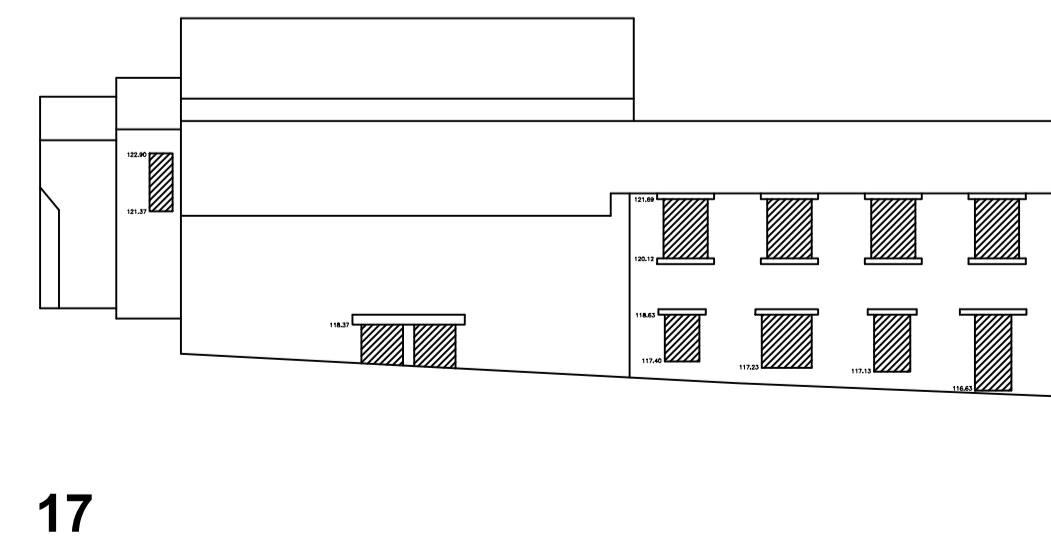
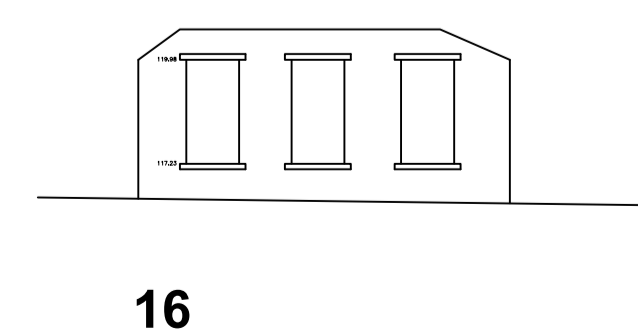
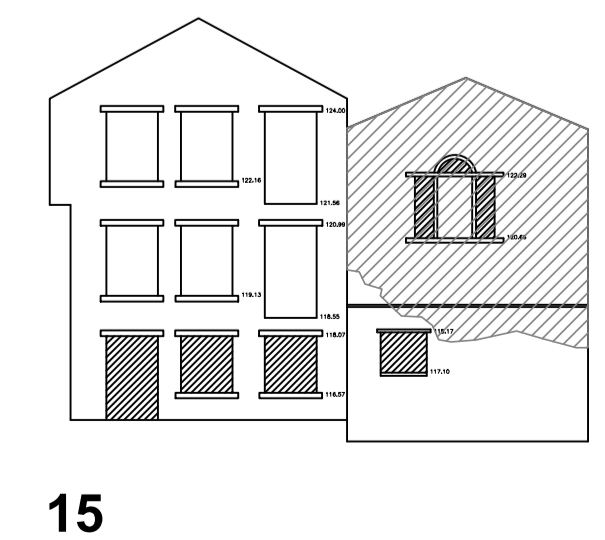
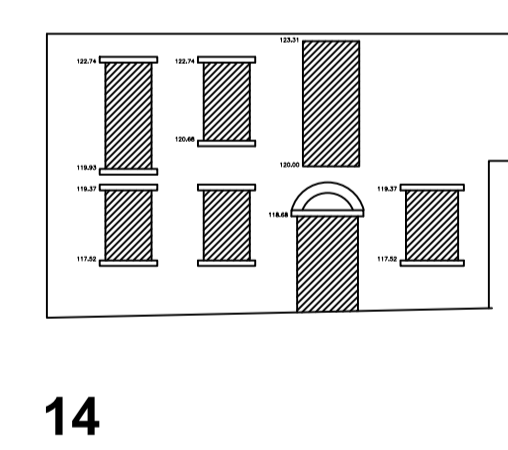
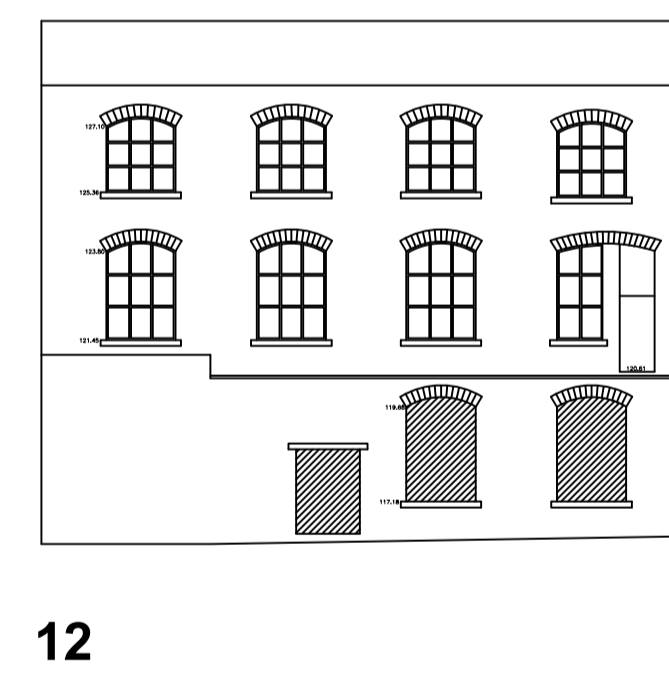
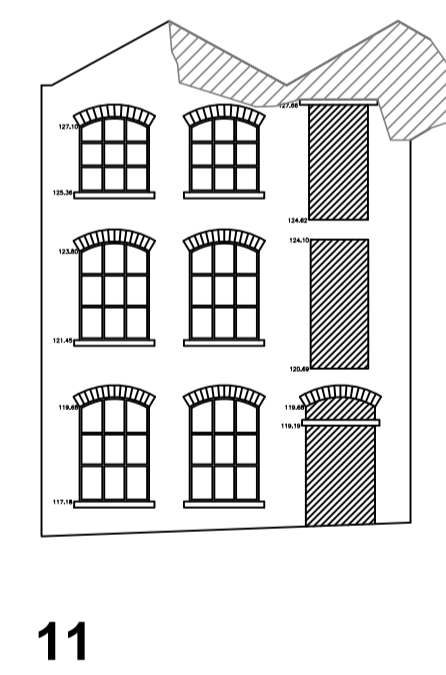
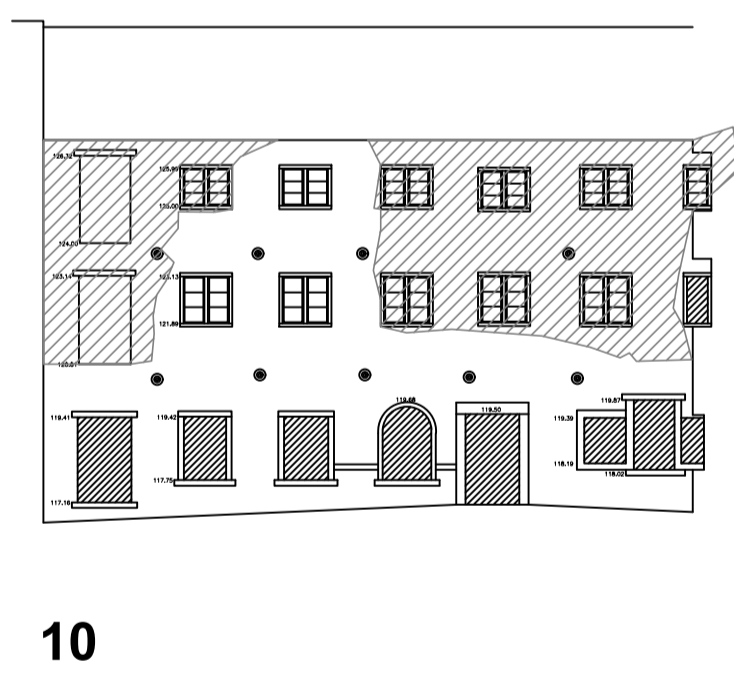
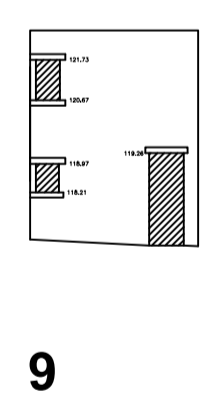
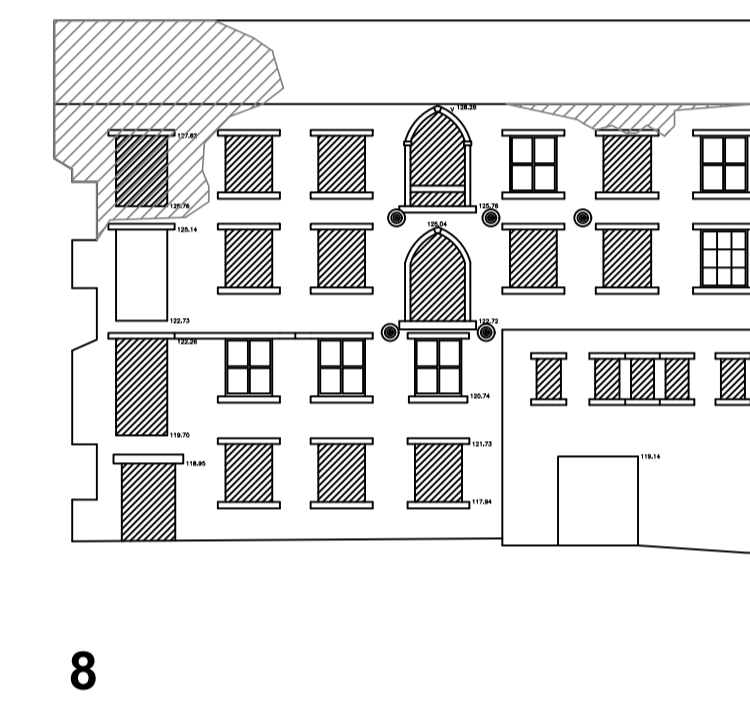
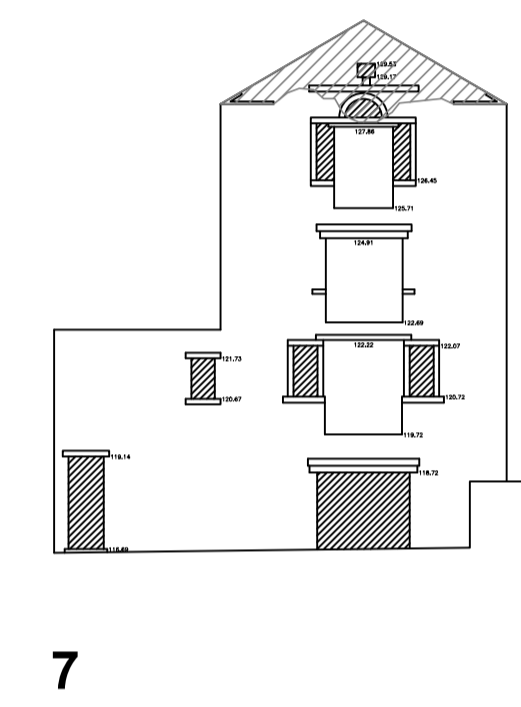
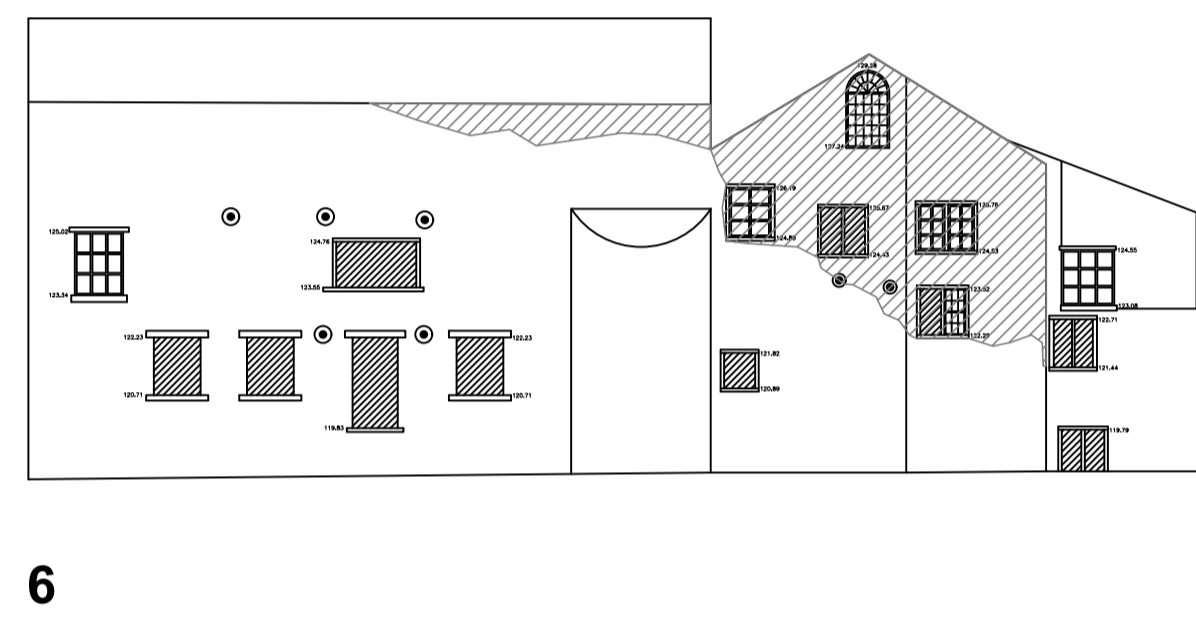
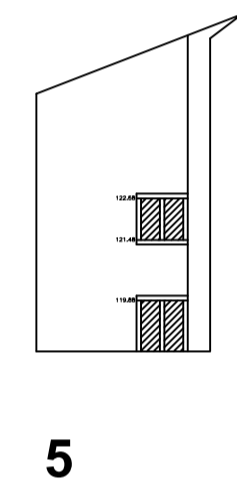
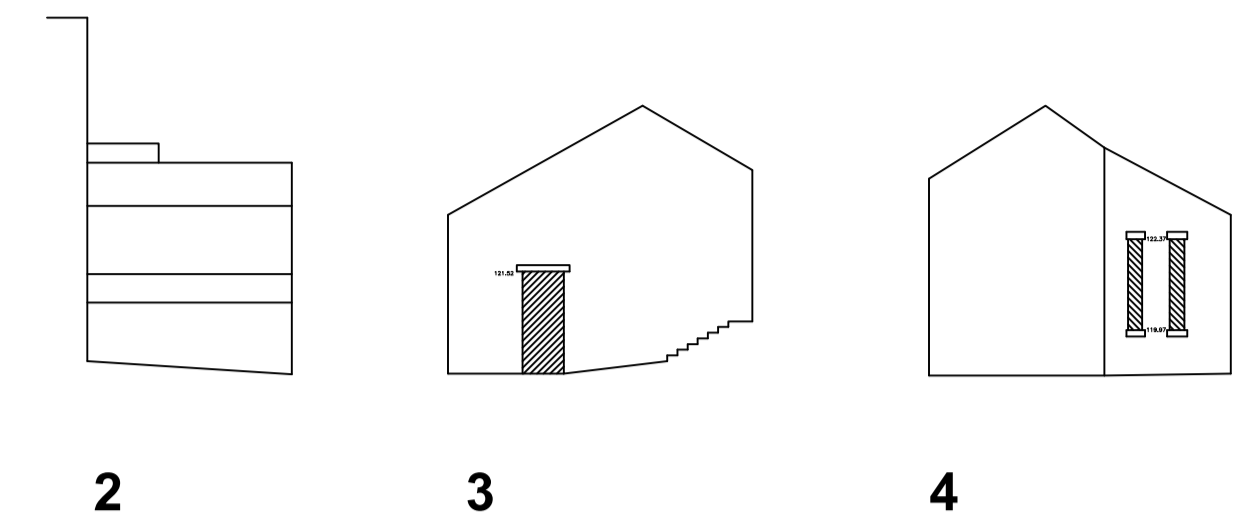
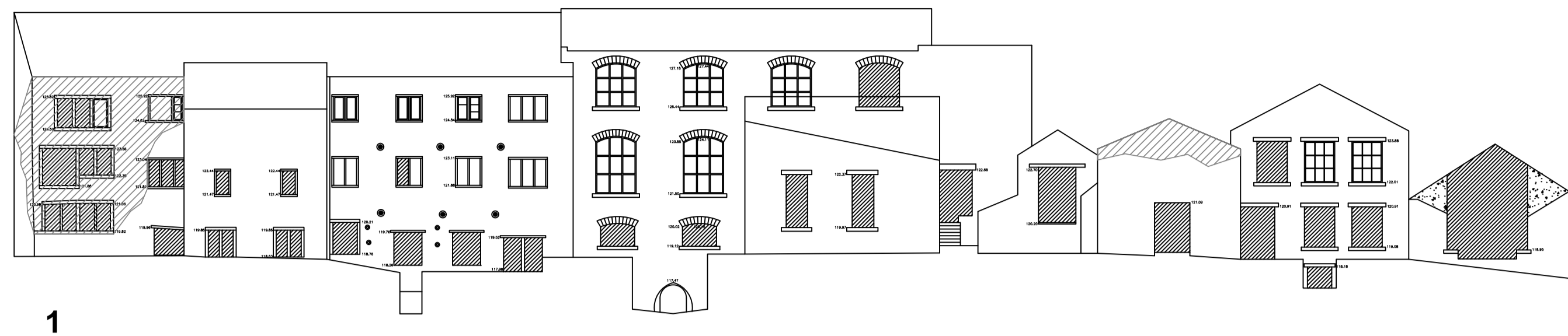
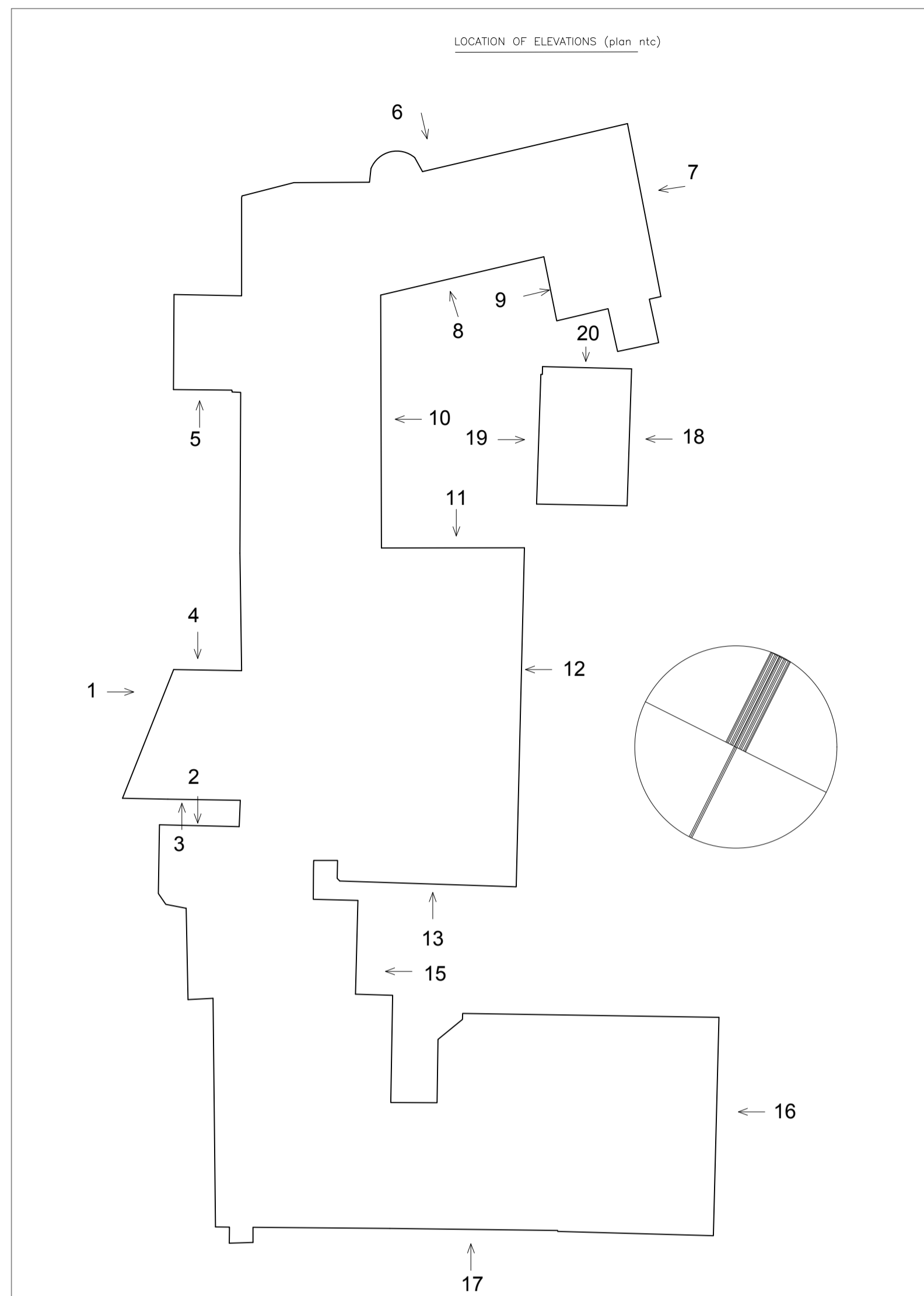
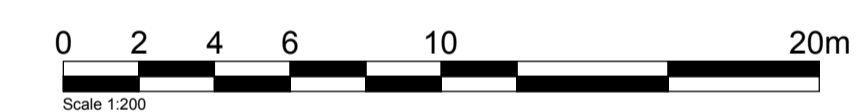


Notes: Do not scale from this drawing. Contractor to take and check all dimensions on site before work commences. Discrepancies to be reported to architect. Subcontractors to verify all dimensions on site before making shop drawings or commencing manufacture. This drawing is copyright.



ORIGINAL OPENINGS PREVIOUSLY FILLED IN OR MISSING.

PARTS STRUCTURE TAKEN DOWN OR COLLAPSED



Rev	Description	Date	Initial
A	NEW KEY + NEW LABELLING	25/01/19DP	

PRIME MERIDIAN
Architects and structural engineers

Second Floor T 020 7494 3522 The Priory, Draycott Rd T 01749 34 66 99
26A Ganton Street F 020 7494 3533 Shepton Mallet F 01749 34 66 77
London W1F 7GZ Somerset BA4 5HS
info@prime-meridian.co.uk www.prim-meridian.co.uk

Client: **WESTWOOD WILSON LTD.**

Project: **WESTWOOD MILL LINTHWAITE**

Title: **EXISTING ELEVATIONS**

Date: OCTOBER '18
Scale: 1:200@A1
Drawn: DP